

Café Professional Series 30" Smart Built-In Convection Single Wall Oven

CTS90DP2NS1 / CTS90DP3ND1 / CTS90DP4NW2

CAFÉ

DISTINCT BY DESIGN™



ALSO AVAILABLE IN



CTS90DP3ND1
Matte Black with
Brushed Stainless
handle



CTS90DP4NW2
Matte White with
Brushed Bronze
handle



FEATURES & BENEFITS

Monitor your food from your smart device thanks to a heat-resistant **in-oven camera**, which syncs to the SmartHQ app.

Make homemade chips, spices and dehydrated fruits more easily than ever with a **moisture-removing setting** in your oven.

A **soft-close oven door** reduces noise and eliminates slams, for a more peaceful environment in the kitchen.

Simplify the cooking process with **precision cooking modes** that automatically track progress, and make time and temperature adjustments.

Easily navigate wall oven settings thanks to a 7" touchscreen display.

This oven features **True European Convection**, an advanced convection system that uses a third heating element and reversing fan for the highest level of heat and air circulation.

Get a custom look in the kitchen by selecting your favorite hardware and finish combination. Choose from Matte White, Matte Black and Stainless Steel finishes, and Brushed Copper, Brushed Bronze, Brushed Black and Brushed Stainless hardware.

Eliminate the need for preheating and save time with a variety of **precision cooking modes**.

Integrated **hot air frying** technology gives you crispy results in your oven without using oil.

This smart oven features **built-in WiFi** so you can control oven functions with the SmartHQ app on your smart device.

This **smooth-gliding oven rack** can be left in the oven during the self-clean cycle so you never have to scrub.

This oven will fit your existing cut-out, or GE Appliances will help pay for modifications up to \$300.

APPEARANCE

| | |
|--------------|---|
| Handle | Café Stainless |
| Installation | Above Warming Drawer; Side-by-Side; Under Built-In Advantium; Under Built-In Microwave; Under Cooktop; Undercounter |

FEATURES

| | |
|---------------------------|--|
| Configuration | Single Oven |
| Cooking System | True European Convection with Direct Air |
| Oven Cleaning Type | Self-Clean with Steam Clean Option |
| Cleaning Time | Variable with Delay Clean Option |
| Oven Cooking Modes | Convection Bake Convection Bake Multi-Rack Convection Roast Convection Broil Crisp Broil Thermal Bake Thermal Broil |
| Self-Clean Oven Door Lock | Automatic |
| Control Type | 7" Full-Color Touch LCD Screen |
| Oven Features | 10-Pass Bake Element 10-Pass Dual Broil Element Closed Door Broiling |
| Oven Rack Features | 2 Self-Clean Roller Racks 6 Embossed Rack Positions |
| Oven Control Features | 12-Hour Shut-Off Capability Audible Preheat Signal Auto Recipe Conversion Sabbath Mode Control Lock Capability Cook Time C° or F° Programmable Dehydration Delay Time Electronic Clock & Kitchen Timer Mis-Wire Detection Oven Camera Proof Mode Remote Enabled Scan-to-cook Temperature Probe Warm Mode |
| WiFi Connect | Built-In |
| Connected Capabilities | Amazon Alexa Drop IFTTT Innit Nest The Google Assistant |
| Cooking Technology | Convection |
| Oven Interior | 2 Halogen Interior Oven Lights Black Gloss Finish Hidden Bake |

CAPACITY

| | |
|-----------------------------|-----------|
| Total Capacity (cubic feet) | 5.0 cu ft |
|-----------------------------|-----------|

POWER / RATINGS

| | |
|--------------------|----------------|
| Amp Rating at 208V | 20 |
| Amp Rating at 240V | 20 |
| Bake Wattage | 2,850W |
| Broiler Wattage | 3,300 / 1,000W |
| Convection Wattage | 2,400W |
| KW Rating at 208V | 3.2 |
| KW Rating at 240V | 4.2 |

WEIGHTS & DIMENSIONS

| | |
|--|---------------------------|
| Approximate Shipping Weight | 177 lb |
| Net Weight | 161 lb |
| Overall Height | 28-5/8 in |
| Overall Width | 29-3/4 in |
| Overall Depth | 26-3/4 in |
| Cabinet Width | 30 in |
| Cutout Dimensions (W x H x D) (in.) | 28-5/8 x 27-5/16 x 23-1/2 |
| Oven Interior Dimensions (W x H x D) (in.) | 25 x 17-3/8 x 20-1/4 |

Café Professional Series 30" Smart Built-In Convection Single Wall Oven

CTS90DP2NS1 / CTS90DP3ND1 / CTS90DP4NW2

CAFÉ

DISTINCT BY DESIGN™

WARRANTY

| | |
|----------------|---------------------------------------|
| Parts warranty | Limited 1-year entire appliance |
| Labor warranty | Limited 1-year entire appliance |
| Warranty notes | See written warranty for full details |

DIMENSIONS AND INSTALLATION INFORMATION

Most 30" Wall Cabinets can be used with this unit.

Note: These ovens are not approved for stackable installations. Cabinets installed adjacent to wall ovens must have an adhesion spec of at least a 194°F temperature rating.

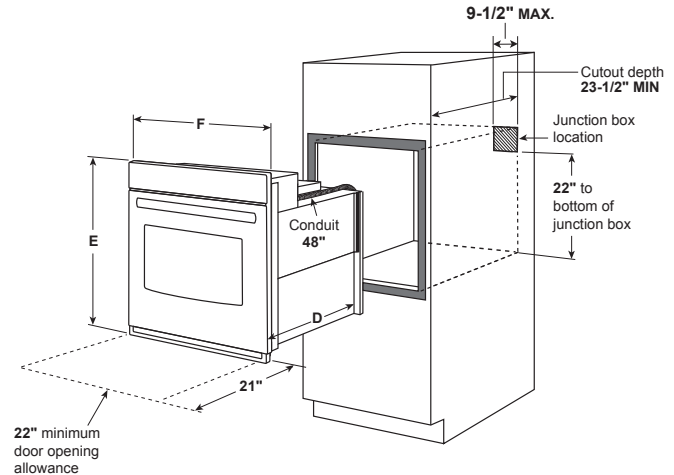
Door handle protrudes 2-1/2" from door face. Cabinets and drawers on adjacent 45° and 90° walls should be placed to avoid interference with the handle.

Electric wall ovens are not approved for installation with a plug and receptacle. They must be hard wired in accordance with installation instructions.

Installation Information: Before installing, consult installation instructions packed with product for current dimensional data. Side-by-side installations require at least 2" between cutouts.

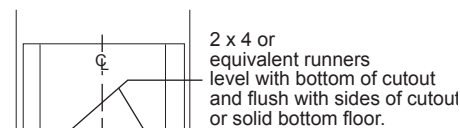
Note: 36" ribbon cooktop are approved for use over Café 30" single wall ovens and warming drawers. 30" ribbon cooktops are approved for use over 30" and Café 27" single wall ovens and warming drawers. Refer to cooktop and wall oven installation information packed with products for current dimensional data.

Installation information: Before installing, consult installation instructions packed with products for current dimensional data and for alternate installation options.

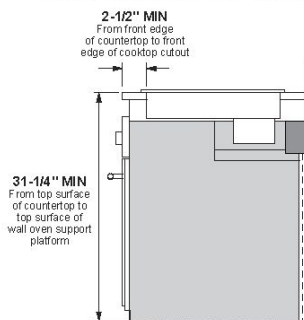


Electric wall ovens are not approved for installation with a plug and receptacle. They must be hard wired in accordance with installation instructions.

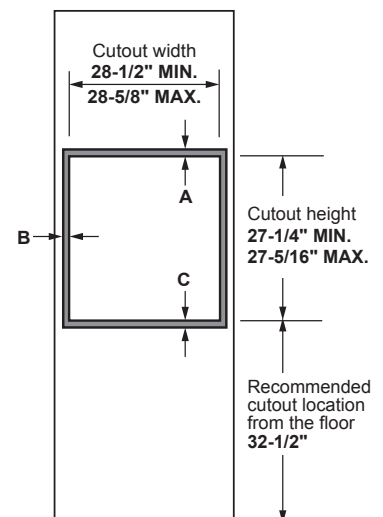
installation below a cooktop



INSTALLATION ABOVE A WALL OVEN



Suitable bracing to support runners (must support 220 lbs.)



| Cabinet | 30" |
|--|---------|
| A - Overlap of oven at top of cutout | 1-1/4" |
| B - Overlap of oven other side of edge of cutout | 3/4" |
| C - Overlap of oven at bottom of cutout | 1-1/4" |
| Oven | |
| D - Install depth | 23-1/2" |
| E - Overall height with trim | 28-5/8" |
| F - Overall width | 29-3/4" |

Café Professional Series 30" Smart Built-In Convection Single Wall Oven

CTS90DP2NS1 / CTS90DP3ND1 / CTS90DP4NW2

CAFÉ

DISTINCT BY DESIGN™

DIMENSIONS AND INSTALLATION INFORMATION

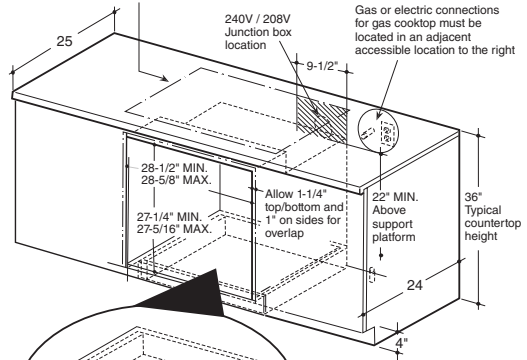
Optional Undercounter Dimensions and Installation Information

Note: 36" ribbon cooktop are approved for use over Café 30" single wall ovens and warming drawers. 30" ribbon cooktops are approved for use over 30" and Café 27" single wall ovens and warming drawers. Refer to cooktop and wall oven installation information packed with products for current dimensional data.

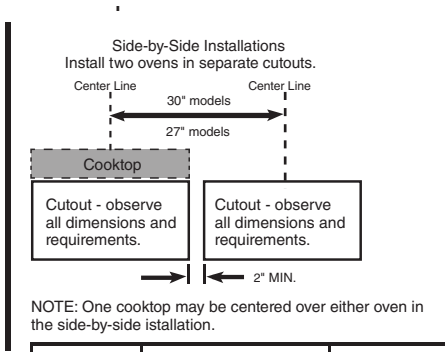
Installation information: Before installing, consult installation instructions packed with products for current dimensional data and for alternate installation options.

ELECTRIC WALL OVENS ARE NOT APPROVED FOR INSTALLATION WITH A PLUG AND RECEPTACLE. THEY MUST BE HARD WIRED IN ACCORDANCE WITH INSTALLATION INSTRUCTIONS.

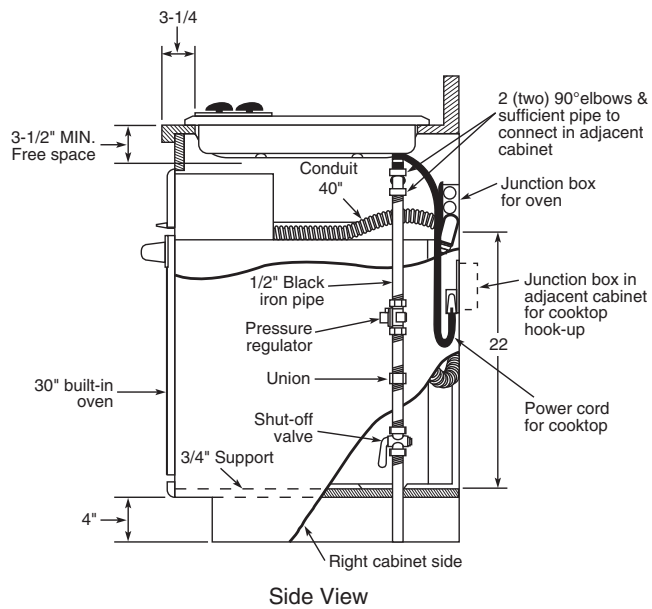
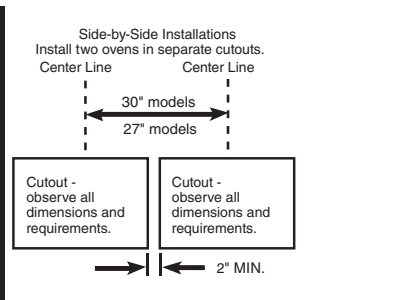
Gas or electric cooktops may be installed over this oven. See cooktop installation instructions for cutout size. See label on top of oven for approved cooktop models.



Side by Side single ovens under cooktop and counter



Side by Side single ovens



Dimension and installation information are shown in inches.

ADDITIONAL ACCESSORIES



CXWS0H0PMBZ
Brushed Bronze
1 handle
(standard on Matte White)



CXWS0H0PMSS
Brushed Stainless
1 handle
(standard on Matte Black)



CXWS0H0PMBT
Brushed Black
1 handle



CXWS0H0PMCU
Brushed Copper
1 handle



CXWS0H0PMCG
Brushed Brass
1 handle



CXWS0H0PMFB
Flat Black
1 handle