

Installation Instructions

Custom Insert Hood UVC9420, UVC9480

? If you have questions, call GE Appliances at 800.GE.CARES (800.432.2737) or visit our website at: GEAppliances.com. In Canada, visit GEAppliances.ca or call 800.561.3344.

BEFORE YOU BEGIN

Read these instructions completely and carefully.

- **IMPORTANT** — Save these instructions for local inspector's use.
- **IMPORTANT** — Observe all governing codes and ordinances.
- **Note to Installer** – Be sure to leave these instructions with the Consumer.
- **Note to Consumer** – Keep these instructions for future reference.
- **Skill level** – Installation of this vent hood requires basic mechanical and electrical skills.
- **Completion time** – Approximately 1 to 3 hours
- Proper installation is the responsibility of the installer.
- Product failure due to improper installation is not covered under the Warranty.

⚠ CAUTION Due to the weight and size of these vent hoods and to reduce the risk of personal injury or damage to the product, **TWO PEOPLE ARE REQUIRED FOR PROPER INSTALLATION.**

FOR YOUR SAFETY

⚠ WARNING Before beginning the installation, switch power off at service panel and lock the service disconnecting means to prevent power from being switched on accidentally. When the service disconnecting means cannot be locked, securely fasten a prominent warning device, such as a tag, to the service panel.

⚠ WARNING TO REDUCE THE RISK OF FIRE, ELECTRIC SHOCK OR INJURY TO PERSONS, OBSERVE THE FOLLOWING:

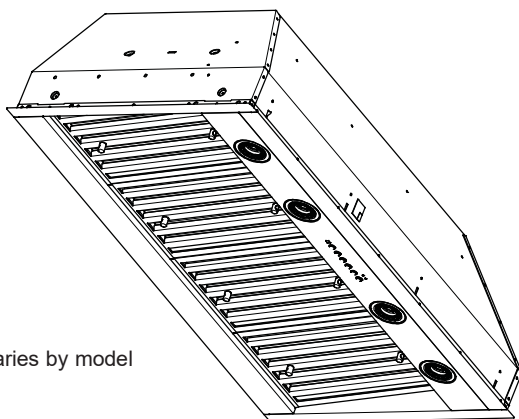
- A. Installation work and electrical wiring must be done by qualified person(s) in accordance with all applicable codes and standards, including fire-rated construction.
- B. Sufficient air is needed for proper combustion and exhausting of gases through the flue (chimney) of fuel burning equipment to prevent back drafting. Follow the heating equipment manufacturer's guidelines and safety standards such as those published by the National Fire Protection Association (NFPA), the American Society for Heating, Refrigeration and Air Conditioning Engineers (ASHRAE) and the local code authorities.
- C. When cutting or drilling into wall or ceiling, do not damage electrical wiring and other hidden utilities.
- D. Ducted fans must always be vented to the outdoors.
- E. Turn off breaker to adjacent rooms while working.

⚠ WARNING TO REDUCE THE RISK OF FIRE, USE ONLY METAL DUCT WORK.

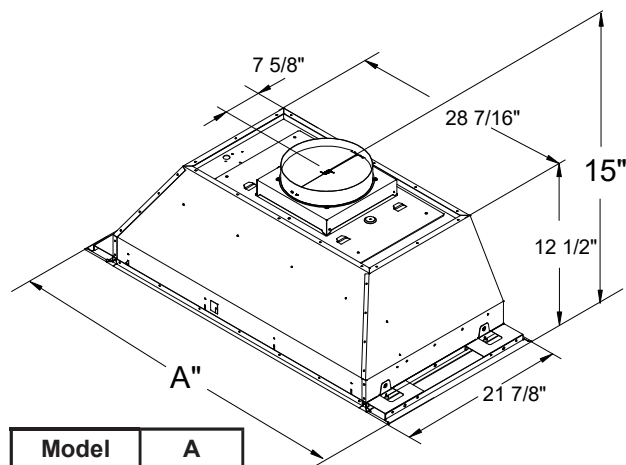
⚠ WARNING Disconnect all electrical power at the main circuit breaker or fuse box before installing.

Installation Preparation

PRODUCT DIMENSIONS



Design varies by model



Model	A
UVC9420	39-1/2"
UVC9480	45-3/4"

ADVANCE PLANNING

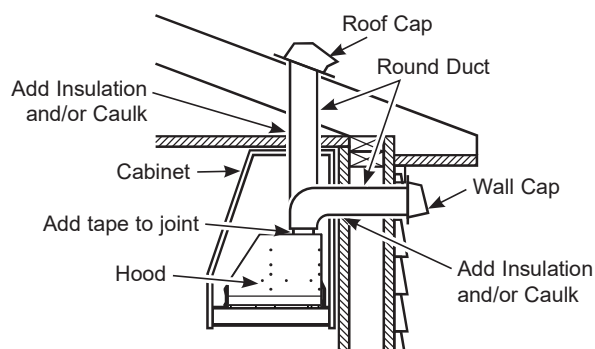
Duct Install Planning

- This hood is designed to be vented vertically through the ceiling. Use a 10" round duct. Use locally supplied elbows to vent horizontally through the rear wall.
- Use metal ductwork only.
- Determine the exact location of the vent hood.
- Plan the route for venting exhaust to the outdoors. To maximize the ventilation performance of the vent system:
 1. Minimize the duct run length and number of transitions and elbows.
 2. Maintain a constant duct size.
 3. Seal all joints with duct tape to prevent any leaks.

NOTE: Flexible vent is not recommended. Flexible vent creates back pressure and air turbulence that greatly reduces performance.

- Maximum equivalent duct length for 100 CFM: 150 foot for vent hoods.
- Install a wall cap or roof cap with damper at the exterior opening. Purchase the wall or roof cap and any transition and length of duct needed in advance.

Vent system can terminate either through the roof or the wall. To vent through a wall, a 90° elbow is needed and installed immediately above the hood.



Wall and Ceiling Framing for Adequate Support

This vent hood is heavy and the cabinet structure needs to support the weight of the loaded insert sleeve. Adequate structural support must be provided in all types of installations.

- Installation will be easier if the vent hood is installed before the cooktop.

Installation Preparation

INSTALLATION CLEARANCES

This vent hood must be installed between the 30" required minimum and 36" recommended maximum above the cooking surface.

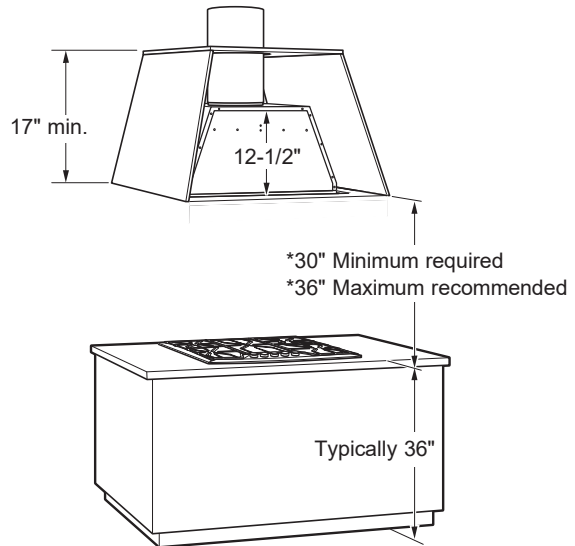
- Always refer to the cooktop or range installation instructions for product-specific clearances.

NOTE: Installation height should be measured from the cooking surface to the bottom edge of the cabinet surface.

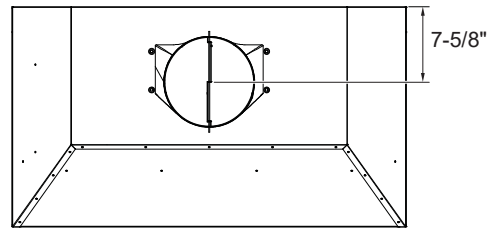
NOTE: UL requires any combustible surface to be a minimum of 30" above the cooking surface. Lower combustible surfaces may be covered to meet requirements.

- The custom cabinet internal height must be 17" minimum for vertical venting.
- This hood must be vented to the outdoors.

- This hood may be mounted in a wall cabinet or installed over an island.



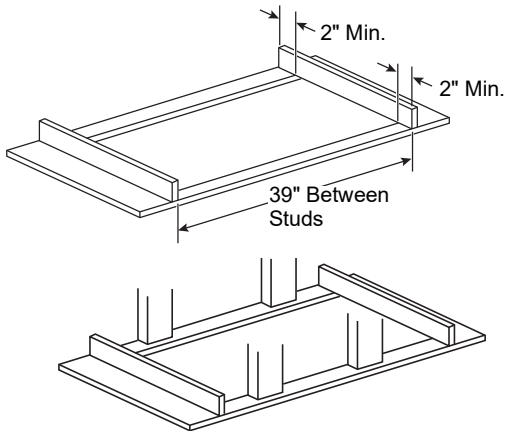
NOTE: The exhaust duct on the hood is closer to the rear of the hood. It is important to plan for the alignment to the connection point of the hood.



Installation Preparation - UVC 9420

CABINET STRUCTURE

- It is required two 2 x 4 horizontal studs separated by 39" as part of the cabinet. They must be firmly secured to the cabinet structure.
- The cabinet bottom must be made from a wooden surface $\frac{3}{4}$ " minimum thickness.

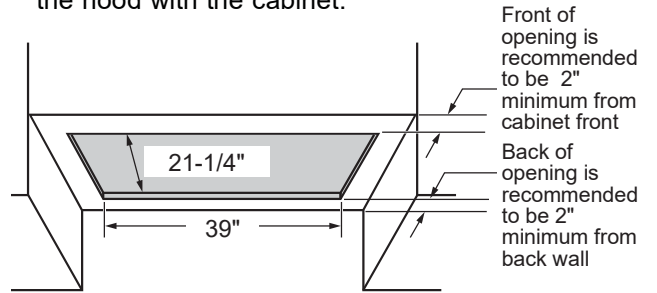


⚠ WARNING

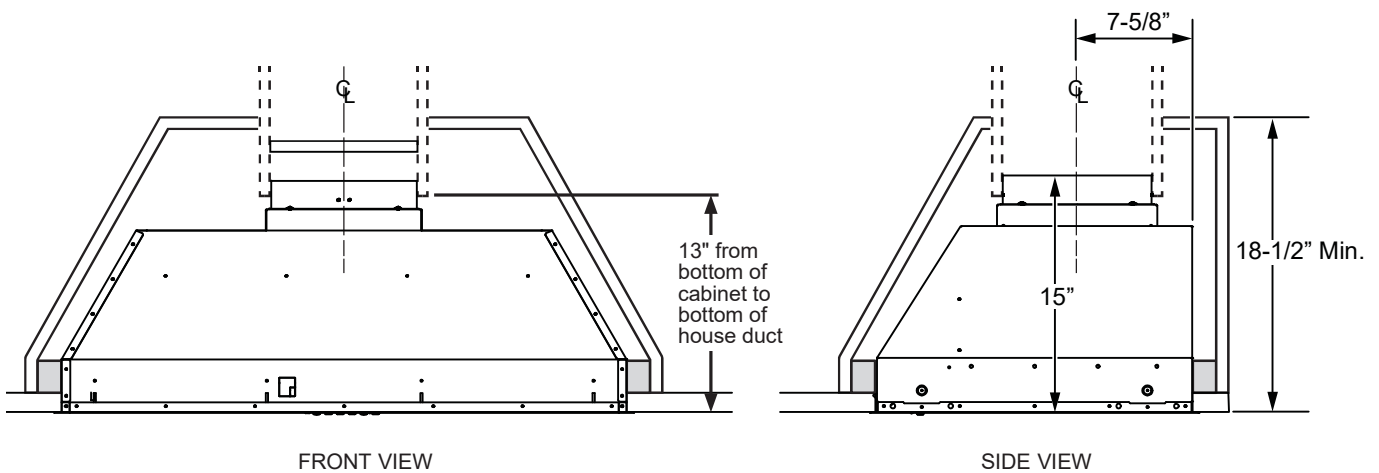
Make sure the studs and cabinet bottom surface are firmly secured and able to withstand 100 pounds.

CUSTOM CABINET FRAME

- The custom canopy or cabinet must have a rectangular opening to accommodate the custom hood insert by itself. This opening has the same size for both a wall installation or an island installation. Ensure parallelism and levelness of the cabinet so that it doesn't affect flushness of the hood with the cabinet.



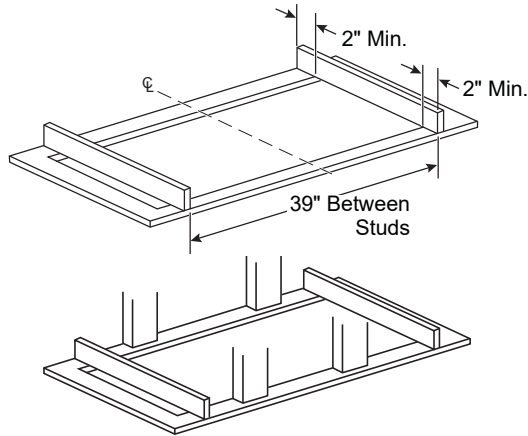
CABINET PREPARATION



Installation Preparation - UVC 9480

CABINET STRUCTURE

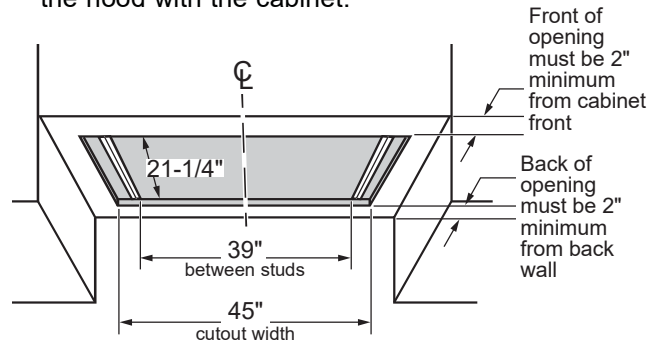
- It is required two 2 x 4 horizontal studs separated by 39" as part of the cabinet. They must be firmly secured to the cabinet structure.
- The cabinet bottom must be made from a wooden surface $\frac{3}{4}$ " minimum thickness.



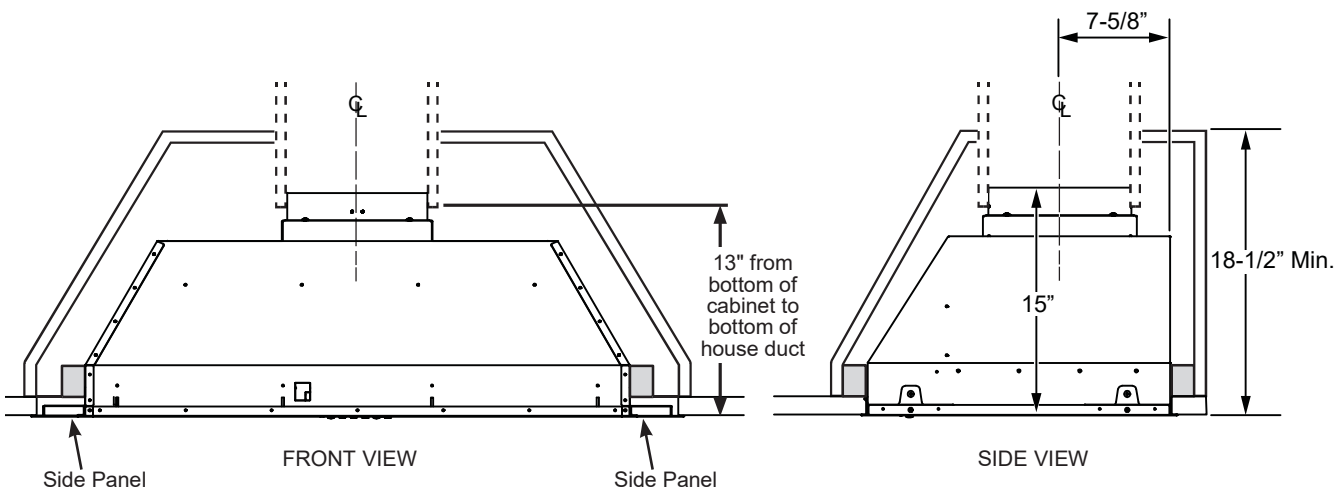
⚠ WARNING Make sure the studs and cabinet bottom surface are firmly secured and able to withstand 100 pounds.

CUSTOM CABINET FRAME

- The custom canopy or cabinet must have a rectangular opening to accommodate the custom hood insert by itself. This opening has the same size for both a wall installation or an island installation. Ensure parallelism and levelness of the cabinet so that it doesn't affect flushness of the hood with the cabinet.

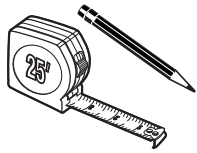


CABINET PREPARATION



Installation Preparation

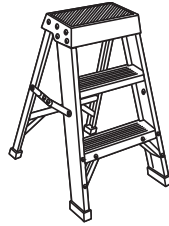
TOOLS AND MATERIALS REQUIRED (NOT SUPPLIED)



Pencil and tape measure



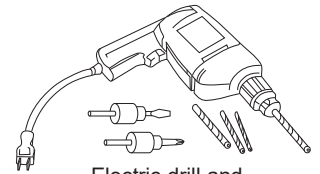
Aluminized duct tape



Step ladder



Needle-nose pliers



Electric drill and appropriate bits



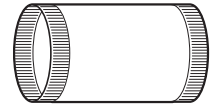
Level



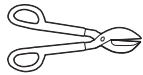
Flashlight



Safety glasses



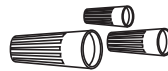
10" ducting and caps as needed



Tin snips



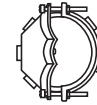
Wire cutter/stripper



UL listed wire nuts



Phillips and flat-blade screwdrivers



Strain relief for junction box



Gloves

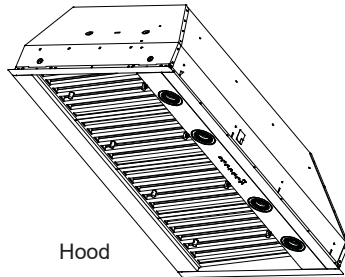
PARTS PROVIDED

Locate the parts packed with the hood.

NOTE: The hardware bag may contain extra pieces to accommodate a variety of installation methods for various models.



Hardware Bag



Hood



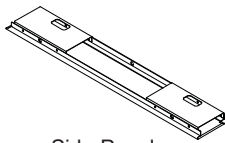
Phillips Head Machine Screw
1/8" X 3/8"
(QTY: 8)



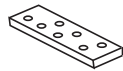
Phillips Head Wood Screws
1/8" X 1/2"
(QTY: 2)



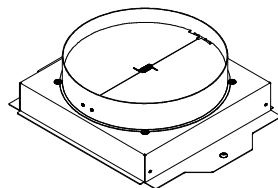
Phillips Head Wood Screws
3/16" x 1" (QTY: 8)



Side Panel
UVC9480 only (QTY: 2)



Remote Control
(QTY: 1)



Damper
Assembly

PLAN THE INSTALLATION

CAUTION To reduce risk of fire and to properly exhaust air, be sure to duct the air outside – Do not vent exhaust air into spaces within walls or ceilings or into attics, crawl spaces, or garages.

WARNING
PERSONAL INJURY HAZARD

It is recommended that 2 people are used to install the range hood. Failure to properly lift rangehood could result in damage to the product or personal injury.

REMOVE THE PACKAGING

CAUTION Wear gloves to protect against sharp edges.

- Remove the hardware bag, literature package and other boxed parts.
- Remove and properly discard the protective plastic wrapping and other packaging materials.
- Consider recycling options for your appliance packaging material.

Installation Preparation - UVC9420 and UVC9480

POWER SUPPLY

IMPORTANT – (Please read carefully)

⚠ WARNING

FOR PERSONAL SAFETY, THIS APPLIANCE MUST BE PROPERLY GROUNDED.

Remove house fuse or open circuit breaker before beginning installation.

Do not use an extension cord or adapter plug with this appliance. Follow National Electrical Codes or prevailing local codes and ordinances.

Electrical supply

These vent hoods must be supplied with 120V, 60Hz, and connected to an individual, properly grounded branch circuit, and protected by a 15 or 20 amp circuit breaker or time delay fuse.

- Wiring must be 2 wire with ground.
- If the electrical supply does not meet the above requirements, call a licensed electrician before proceeding.
- Route house wiring as close to the installation location as possible in the ceiling or wall.
- Connect the wiring to the house wiring in accordance with local codes.

Grounding instructions

The grounding conductor must be connected to a ground metal, permanent wiring system, or an equipment-grounding terminal or lead on the hood.

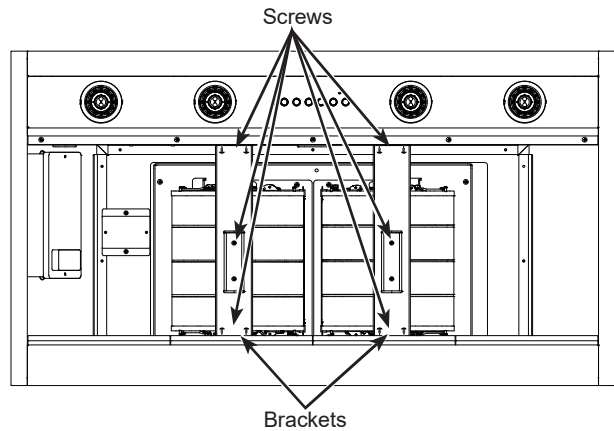
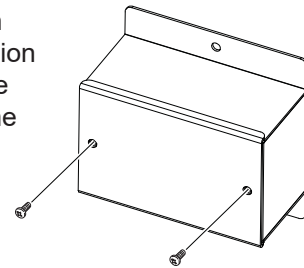
⚠ WARNING

The improper connection of the equipment-grounding conductor can result in a risk of electric shock. Check with a qualified electrician or service representative if you are in doubt whether the appliance is properly grounded.

PREPARE THE HOOD FOR INSTALLATION

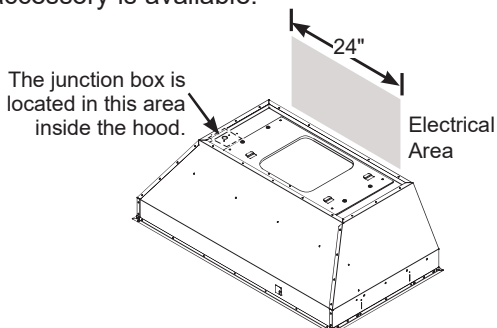
NOTE: For transportation purposes the motor assembly is secured by 2 brackets. They must be removed prior to installation and discarded.

- Place insert hood canopy on padded, yet stable, surface below cutout (can use flattened carton to pad surface).
- Remove the junction box cover. The junction box is located inside the top left side of the hood.
- Save the junction box cover and screws. They will be needed at installation.
- Remove the 12 screws from the brackets over the motor assembly to remove the brackets.



PREPARE HOUSE ELECTRICAL WIRING

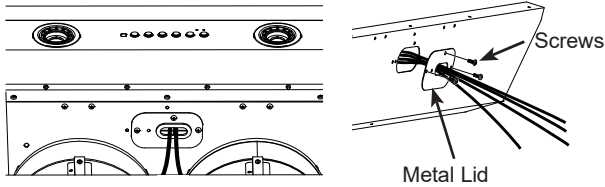
The custom cabinet must allow spacing for house wiring to reach junction box located in diagram below. If unit is installed over an island, the wiring must come from ceiling. If power cord is needed, accessory is available.



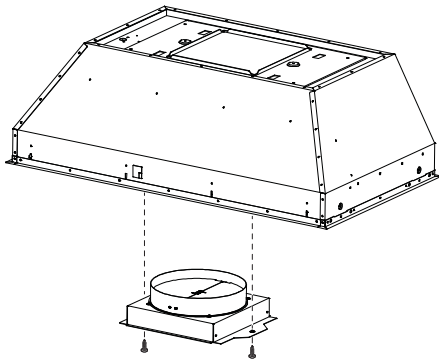
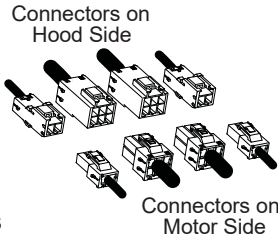
Installation - UVC 9420

STEP 1 REMOVE MOTOR ASSEMBLY FROM HOOD CANOPY

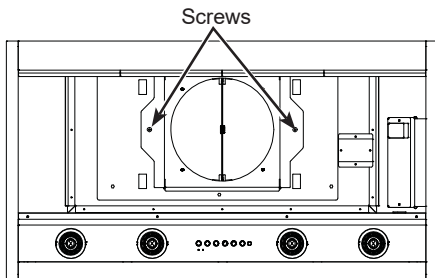
1. Remove the metal lid by removing the 3 screws and allowing access to connectors.



2. Disconnect 2 motor cable connectors and 2 capacitor connectors.
3. Remove the 4 screws that attach the motor assembly to the hood canopy. Save the screws for installation.
4. Remove the motor assembly from the hood canopy by sliding it to release it from the mounting tabs.
5. Install the damper into the bottom of the exhaust fan opening using 2 screws provided (D).



- a. Check to make sure the damper opens freely.
- b. Tighten the 2 screws (D).



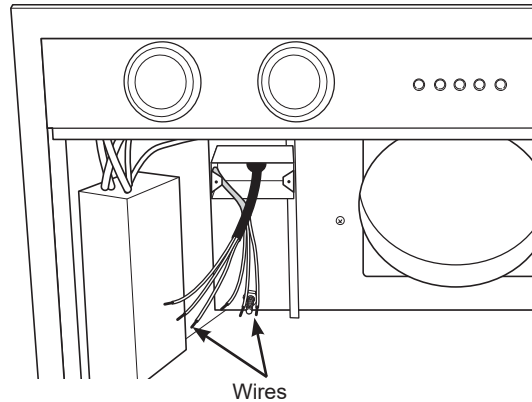
STEP 2 CONNECT ELECTRICAL CABLES

Verify that power is turned off at the source.

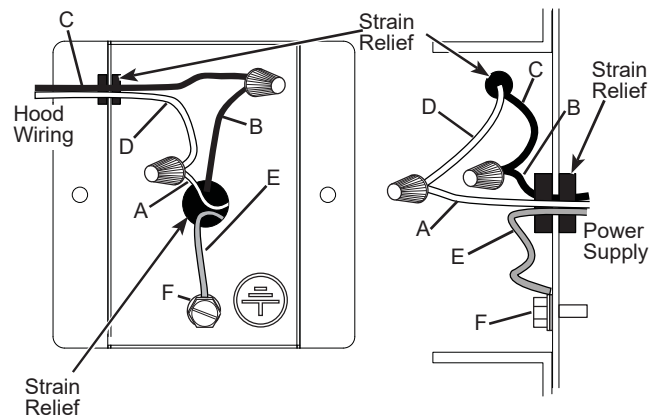
⚠ WARNING

If house wiring is not 2-wire with a ground wire, an electrician will need to convert existing wiring to meet these specs. When house wiring is aluminum, be sure to use U.L.-approved anti-oxidant compound and aluminum-to-copper connectors.

1. Pull power supply wires through wall of insert canopy and attach the strain relief. Thread the house wire through the junction box before the canopy is inserted in the cabinet cutout.

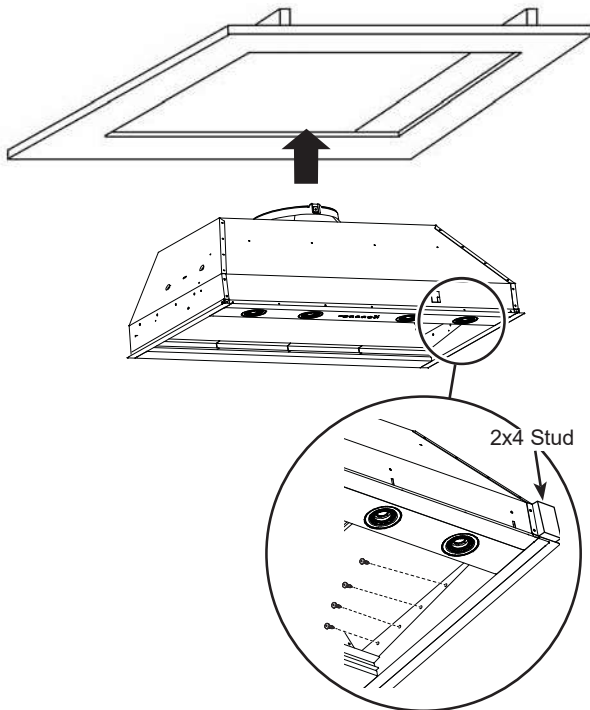


2. Attach the white lead of the power supply (A) to the white lead of the range hood (D) with a wire nut. Attach the black lead of the power supply (B) to the black lead of the range hood (C) with a wire nut. Connect the power supply ground wire lead (E) to the ground screw (F).



STEP 3 INSTALL HOOD CANOPY TO THE CABINET

1. Confirm the damper is in place in the hood exhaust opening, see previous page for instructions.
2. Tuck the house wiring out of the way.
3. Push the hood canopy straight up through the cutout opening until the temporary locking clips engage. The locking clips are designed to hold the insert sleeve in place until it is secured with screws.

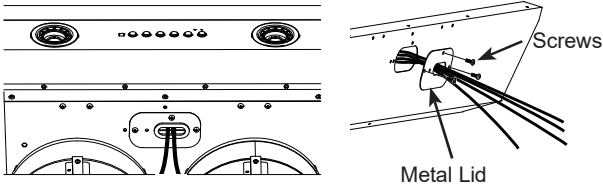


4. Once the hood canopy is in place, seal the duct to the damper with duct tape. (DO NOT USE SCREWS).

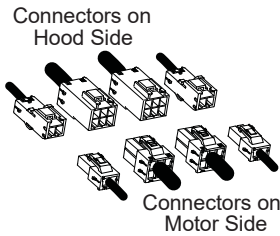
Installation - UVC 9480

STEP 1 REMOVE MOTOR ASSEMBLY FROM HOOD CANOPY

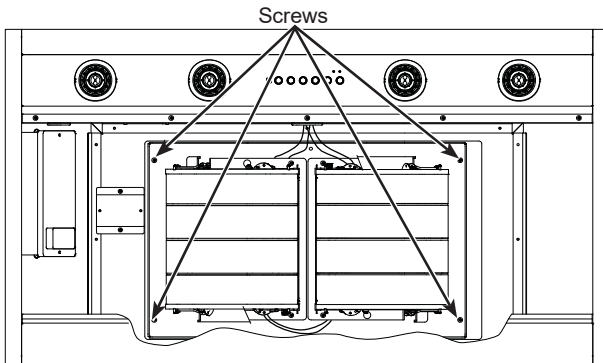
1. Remove the metal lid by removing the 3 screws and allowing access to connectors.



2. Disconnect 2 motor cable connectors and 2 capacitor connectors.



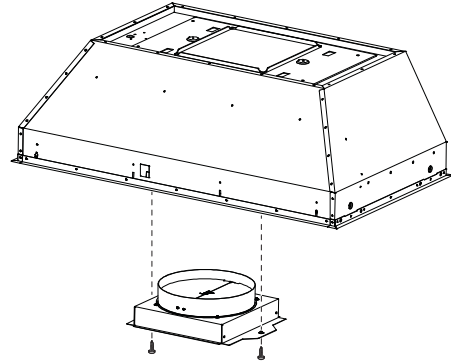
3. Remove the 4 screws that attach the motor assembly to the hood canopy. Save the screws for installation.



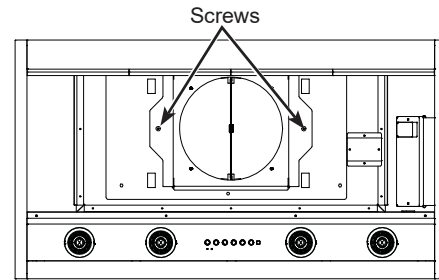
4. Remove the motor assembly from the hood canopy by sliding it to release it from the mounting tabs.

STEP 2 DAMPER AND SIDE PANEL INSTALLATION

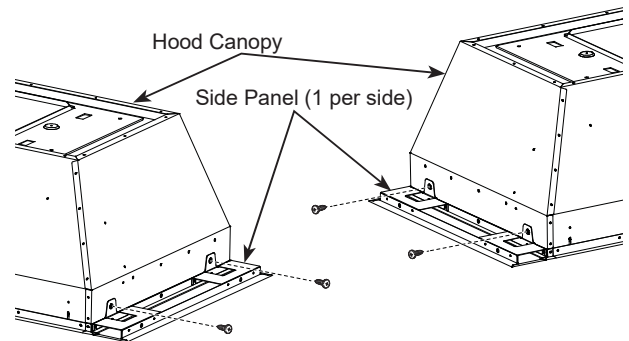
1. Install the damper into the bottom of the exhaust fan opening using 2 screws provided (D).



- a. Check to make sure the damper opens freely.
- b. Tighten the 2 screws (D).



2. Install the right and left side panels to the hood canopy using the 4 screws (B) provided.

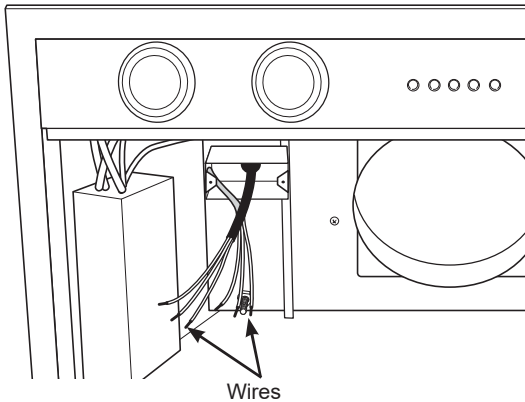


STEP 3 CONNECT ELECTRICAL CABLES

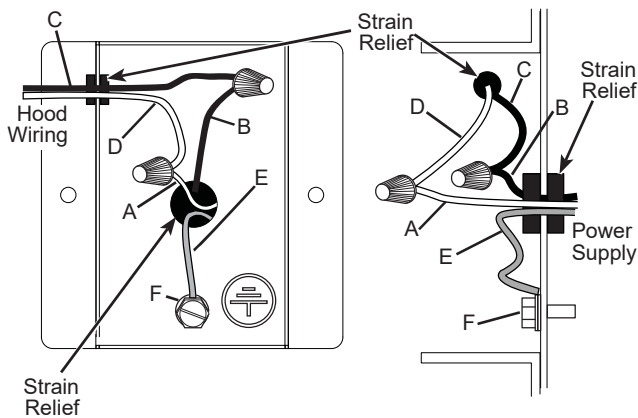
Verify that power is turned off at the source.

⚠ WARNING If house wiring is not 2-wire with a ground wire, an electrician will need to convert existing wiring to meet these specs. When house wiring is aluminum, be sure to use U.L.-approved anti-oxidant compound and aluminum-to-copper connectors.

1. Pull power supply wires through wall of insert canopy and attach the strain relief. Thread the house wire through the junction box before the canopy is inserted in the cabinet cutout.

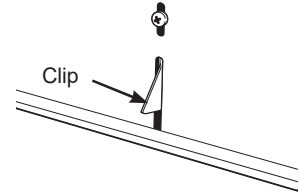


2. Attach the white lead of the power supply (A) to the white lead of the range hood (D) with a wire nut. Attach the black lead of the power supply (B) to the black lead of the range hood (C) with a wire nut. Connect the power supply ground wire lead (E) to the ground screw (F).



STEP 4 INSTALL HOOD CANOPY TO THE CABINET

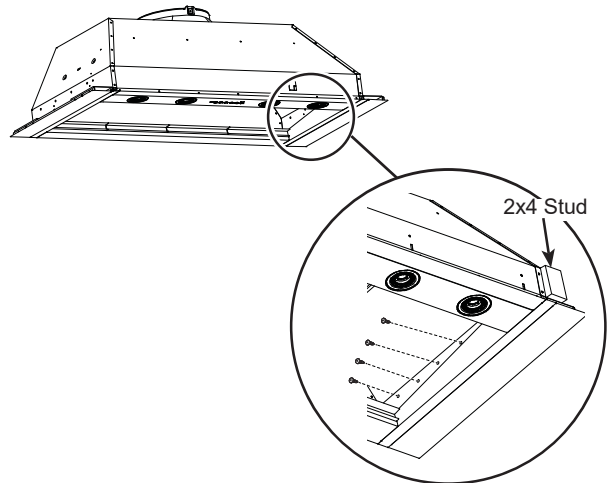
1. Confirm the damper is in place in the hood exhaust opening, see previous page for instructions.
2. Confirm the side panels are mounted (see previous instructions).
3. Tuck the house wiring out of the way.



4. Push the hood canopy straight up through the cutout opening until the temporary locking clips engage. The locking clips are designed to hold the insert sleeve in place until it is secured with screws.

NOTE: The locking clips are not designed to support all of the weight of the insert sleeve. Do not leave the insert sleeve unattended until screws have been installed.

5. Fasten the 8 screws (L), 4 on each side, toward the left and right sides to the side studs of the cabinet structure. It is recommended to start with one corner and fasten screws diagonally to ensure unit flushness with cabinet.

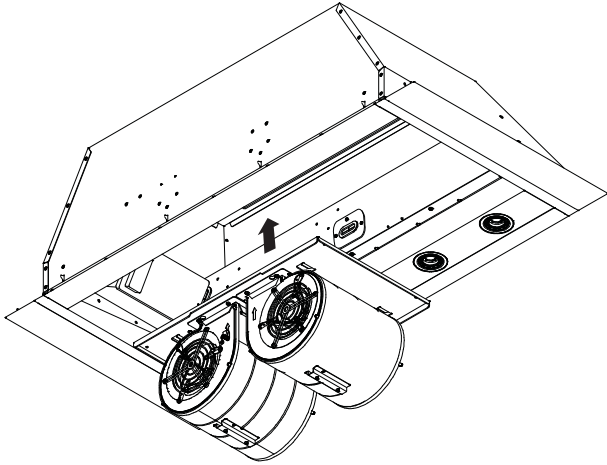


6. Once the hood canopy is in place, seal the duct to the hood canopy with duct tape (**DO NOT USE SCREWS**).

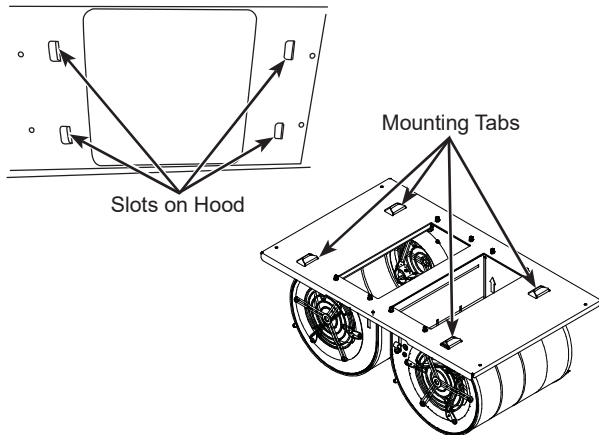
Installation - UVC 9420 and 9480

STEP 5 INSTALL BLOWER MOTOR ASSEMBLY - UVC-9420 AND 9480 METHOD 1

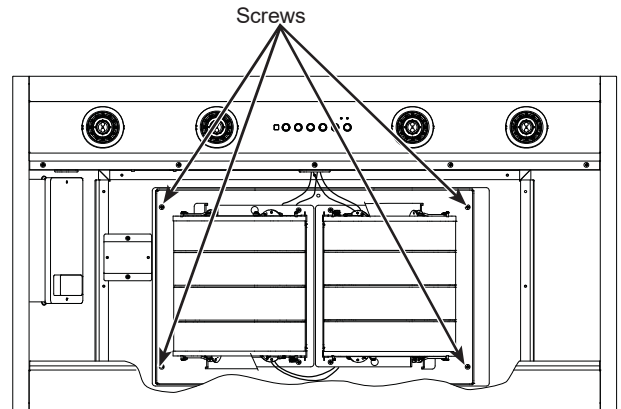
1. Lift the motor assembly on the insert canopy.



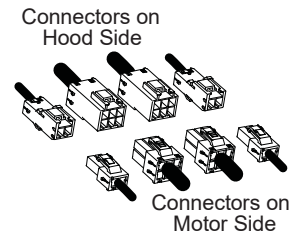
2. Insert the blower motor assembly tabs in the hood slots and slide it, making sure the 4 tabs are engaged.



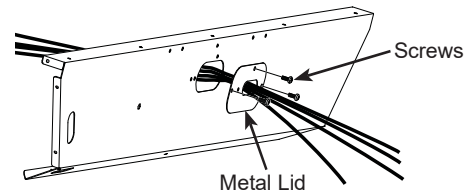
3. Tighten the 4 screws (removed earlier) - see Remove Motor Assembly from Hood Canopy section. Make sure the blower motor is secured firmly to the hood canopy.



4. Reconnect the 4 cables of the motor to the ones on the hood side and insert them into the protected area under the control panel.



5. Mount the metal lid and tighten the 3 screws to secure the lid on the hood body.

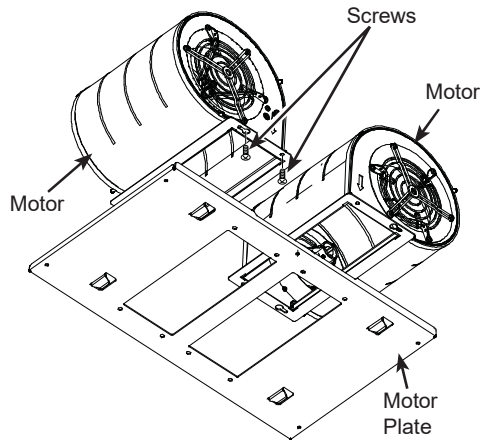


Installation - UVC 9420 and 9480

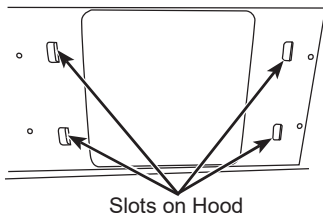
STEP 5 INSTALL BLOWER MOTOR ASSEMBLY - UVC 9420 AND 9480 METHOD 2 (ALTERNATIVE)

The motors can also be installed separately to help manage the weight of the 2 motors.

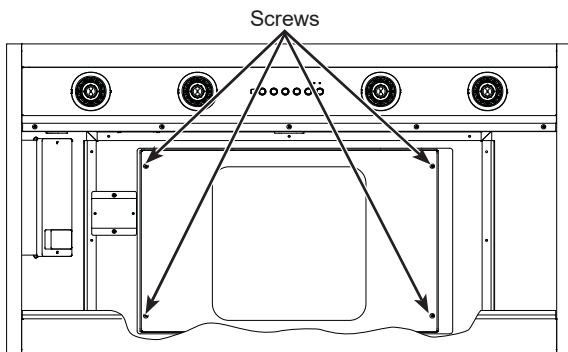
1. See see Remove Motor Assembly from Hood Canopy section to disassemble the motor assembly from the canopy.
2. With the motor assembly out of the canopy, remove the 4 screws from each motor. The motors are separate from the motor plate.



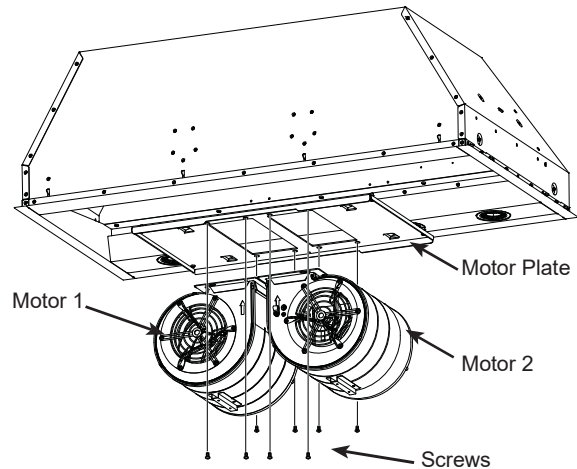
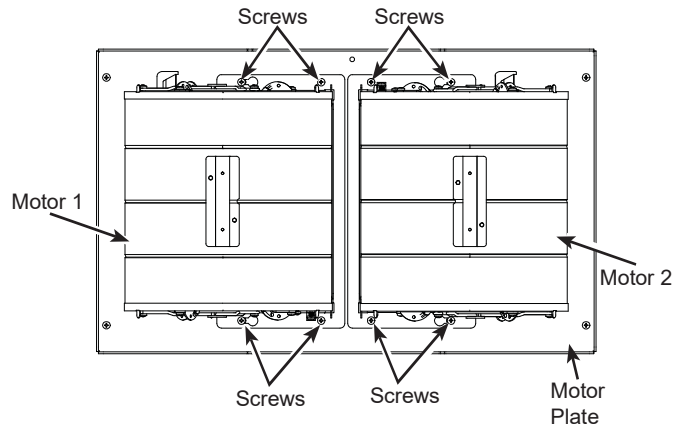
3. Mount the hood into the cabinet as shown in previous instructions. Mount the motor plate, inserting it in the hood slots. Slide it, making sure the 4 tabs are engaged.



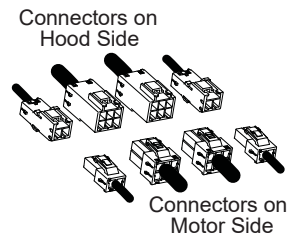
4. Reinstall the 4 screws removed earlier. See Remove Motor Assembly from Hood Canopy section. Make sure the plate is secured firmly to the hood canopy.



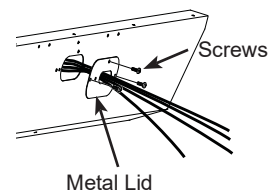
5. Lift and attach each motor using 4 screws per motor making sure they are firmly attached to the motor plate.



6. With both motors installed on canopy, reconnect the 4 cables of the motor to the ones on the hood side and insert them into the protected area under the control panel.



7. Mount the metal lid and tighten the 3 screws to secure the lid on the hood body.



Installation - UVC 9420 and 9480

STEP 6 FINALIZE INSTALLATION

1. Insert filters, see the Filters section.
2. Check operation of the lights and blower.
Refer to Using the Hood sections for operating instructions.

Troubleshooting tips ... Before you call for service

Save time and money! Review the charts on the following pages first and you may not need to call for service.

Problem	Possible Cause	What To Do
Fan/Light does not operate when button is turned ON	A house fuse may be blown or a circuit breaker tripped.	Replace fuse or reset circuit breaker.
Loud or abnormal airflow noise	Wrong duct size used in installation.	This hood requires 8" ducting to perform optimally. Using smaller duct pipe will cause reduced venting. Minimize the duct run length and number of transitions and elbows. GE Appliances service technicians cannot correct this issue if installed improperly.
Fan fails to circulate air or moves air slower than normal and/or fan is making loud or abnormal airflow noise	Obstructions in duct work.	Make sure nothing is blocking the vent. Make sure your wall or roof cap has a blade or door.
	Damper blade on wall or roof cap may not be open.	Make sure damper swings freely. Damper blades may flip over and will not fully open when this happens. Adjust to original position.
	Metal grease filter and charcoal filter (if present) may be dirty.	Clean the metal grease filter and replace charcoal filter (if present). See Care and Cleaning of the Vent Hood.
	Insufficient makeup (replacement) air	Sufficient makeup (replacement) air is required for exhausting appliances to operate to rating. Check with local building codes, which may require or strongly advise the use of makeup air. Visit GEAppliances.com for available makeup air solutions.
Early light failure	Light wattage is too high.	Replace with correct wattage.
Fan automatically turns on and can not be turned off.	This is normal.	The sensor feature will automatically turn the fan on if cooking temperature becomes too hot. The fan will then turn off when temperatures cool to an appropriate level.
Fan keeps going off and on	The motor is probably overheating and turning itself off. This can be harmful to the motor.	Check to be sure the filters are clean. If off and on cycling continues, call for service.
Lights not functioning	Wrong bulbs are used. Must use GU10 compatible dimmable bulbs.	Visit GEAppliances.com for replacement bulbs.
No grease captured in the drip trays	No grease captured in the drip trays	Install the baffles properly making sure the arrows on the sides of the baffles are pointing towards the front of the unit so that the grease openings on the bottom of the baffles are inserted in the drip trays, see the Filters section.
Hood will not work remotely	Router issues, no wireless signal, etc.	For assistance with hood wireless network connectivity, please call 800.220.6899.
	Hood is not connected.	

Notes

Notes

GE Appliances Vented Range Hood Limited Warranty

GEAppliances.com

All warranty service is provided by our Factory Service Centers, or an authorized Customer Care® technician. To schedule service online, visit us at geappliances.com/service_and_support/, or call GE Appliances at 800.GE.CARES (800.432.2737). In Canada, visit GEAppliances.ca/en/support/service-request or call 800.561.3344. Please have your serial number and your model number available when calling for service.

Servicing your appliance may require the use of the onboard data port for diagnostics. This gives a GE Appliances factory service technician the ability to quickly diagnose any issues with your appliance and helps GE Appliances improve its products by providing GE Appliances with information on your appliance. If you do not want your appliance data to be sent to GE Appliances, please advise your technician not to submit the data to GE Appliances at the time of service.

For the period of	GE Appliances will replace
One year From the date of the original purchase	Any part of the cooking product which fails due to a defect in materials or workmanship. During this limited one-year warranty , GE Appliances will provide, free of charge , all labor and related service costs to replace the defective part.

What GE Appliances will not cover:

- Service trips to your home to teach you how to use the product.
- Improper installation, delivery, or maintenance.
- Failure of the product if it is abused, misused, modified, or used for other than the intended purpose or used commercially.
- Replacement of house fuses or resetting of circuit breakers.
- Damage to the product caused by accident, fire, floods, or acts of God.
- Damage to finish, such as surface rust, tarnish, or small blemishes not reported within 48 hours of delivery.
- Incidental or consequential damage caused by possible defects with this appliance.
- Damage caused after delivery.
- Product not accessible to provide required service.
- Service to repair or replace light bulbs, except for LED lamps.

EXCLUSION OF IMPLIED WARRANTIES

Your sole and exclusive remedy is product repair as provided in this Limited Warranty. Any implied warranties, including the implied warranties of merchantability or fitness for a particular purpose, are limited to one year or the shortest period allowed by law.

Staple your receipt here. Proof of the original purchase date is needed to obtain service under the warranty.

This limited warranty is extended to the original purchaser and any succeeding owner for products purchased for home use within the USA. If the product is located in an area where service by a GE Appliances Authorized Servicer is not available, you may be responsible for a trip charge or you may be required to bring the product to an Authorized GE Appliances Service location for service. In Alaska, the limited warranty excludes the cost of shipping or service calls to your home. Some states do not allow the exclusion or limitation of incidental or consequential damages. This limited warranty gives you specific legal rights, and you may also have other rights which vary from state to state. To know what your legal rights are, consult your local or state consumer affairs office or your state's Attorney General.

In Canada: This warranty is extended to the original purchaser and any succeeding owner for products purchased in Canada for home use within Canada. If the product is located in an area where service by a GE Authorized Servicer is not available, you may be responsible for a trip charge or you may be required to bring the product to an Authorized GE Service location. Some provinces do not allow the exclusion or limitation of incidental or consequential damages. This warranty gives you specific legal rights, and you may also have other rights which vary from province to province. To know what your legal rights are, consult your local or provincial consumer affairs office.

Garante: GE Appliances, a Haier company
Louisville, KY 40225

Garante en Canadá: MC Commercial
Burlington, ON, L7R 5B6

Extended Warranties: Purchase a GE Appliances extended warranty and learn about special discounts that are available while your warranty is still in effect. You can purchase it online anytime at

In US: geappliances.com/service_and_support/shop-for-extended-service-plans.htm

In Canada: geappliances.ca/en/support/purchase-extended-warranty

or call 800.626.2224 (Canada 866.277.9842) during normal business hours. GE Appliances Service will still be there after your warranty expires..

Accessories

Looking For Something More?

GE Appliances offers a variety of accessories to improve your cooking and maintenance experiences!

Refer to the Consumer Support page for phone numbers and website information.

The following products and more are available:

Parts

Power Cord Kit

Make-up Air Kit

Charcoal Filter

Recirculation Kit

Remote Control

Cleaning Supplies

CitruShine™ Stainless Steel Wipes

Stainless Steel Appliance Cleaner

Bar Keepers Friend Soft Cleanser™

Consumer Support

GE Appliances Website

Have a question or need assistance with your appliance? Try the GE Appliances Website 24 hours a day, any day of the year! You can also shop for more great GE Appliances products and take advantage of all our on-line support services designed for your convenience. In the US: **GEAppliances.com**. In Canada: **GEAppliances.ca**.

Register Your Appliance

Register your new appliance on-line at your convenience! Timely product registration will allow for enhanced communication and prompt service under the terms of your warranty, should the need arise. You may also mail in the pre-printed registration card included in the packing material. In the US: **GEAppliances.com/register**. In Canada: **Prodsupport.mabe.ca/crm/Products/ProductRegistration.aspx**

Schedule Service

Expert GE Appliances repair service is only one step away from your door. Get on-line and schedule your service at your convenience any day of the year. In the US: **GEAppliances.com/service** or call 800.432.2737 during normal business hours. In Canada: **GEAppliances.com/en/support/service-request**

Extended Warranties

Purchase a GE Appliances extended warranty and learn about special discounts that are available while your warranty is still in effect. You can purchase it on-line anytime. GE Appliances Services will still be there after your warranty expires. In the US: **GEAppliances.com/extended-warranty** or call 800.626.2224 during normal business hours. In Canada: **GEAppliances.com/en/support/purchase-extended-warranty**

Remote Connectivity

For assistance with wireless network connectivity (for models with remote enable), visit our website at **GEAppliances.com/connected-home-smart-appliances/** or call 800.220.6899 in the US.

Parts and Accessories

Individuals qualified to service their own appliances can have parts or accessories sent directly to their homes (VISA, MasterCard and Discover cards are accepted). Order on-line today 24 hours every day. In the US: **GEApplianceparts.com** or by phone at 877.959.8688 during normal business hours. In Canada: **GEAppliances.com/en/products/parts-filters-accessories**

Instructions contained in this manual cover procedures to be performed by any user. Other servicing generally should be referred to qualified service personnel. Caution must be exercised, since improper servicing may cause unsafe operation.

Contact Us

If you are not satisfied with the service you receive from GE Appliances, contact us on our Website with all the details including your phone number, or write to:

In the US: General Manager, Customer Relations | GE Appliances, Appliance Park | Louisville, KY 40225
GEAppliances.com/contact

In Canada : Director, Consumer Relations, Mabe Canada Inc. | Suite 310, 1 Factory Lane | Moncton, N.B. E1C 9M3
GEAppliances.ca/en/contact-us